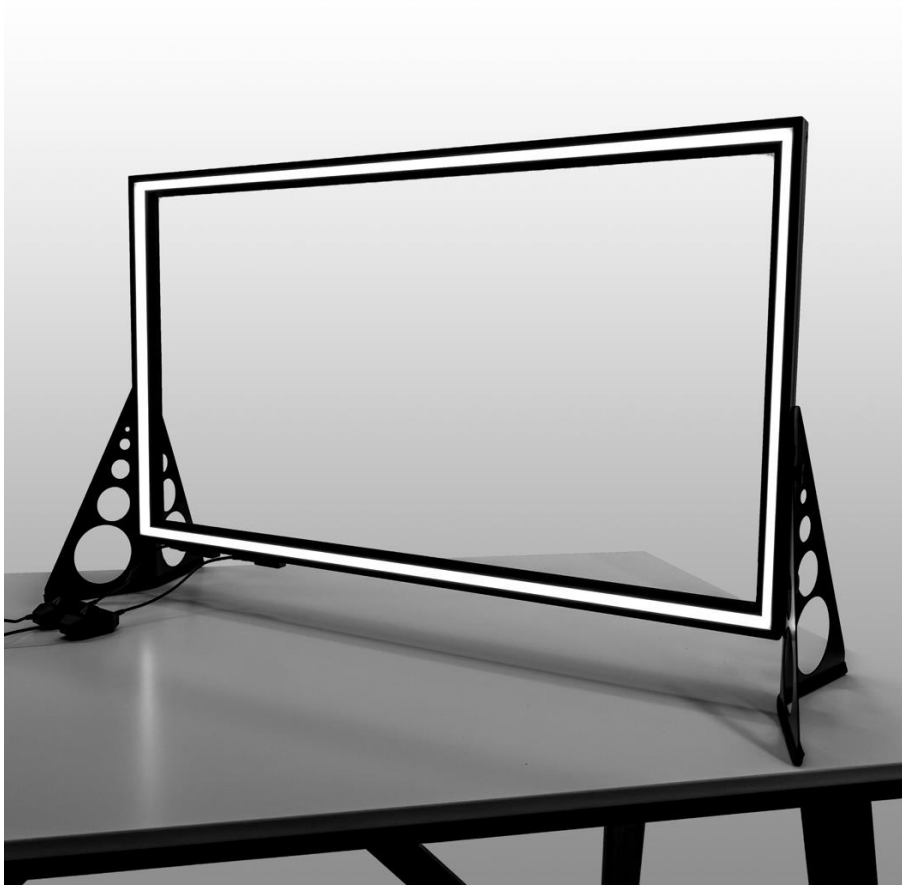


SPECIFICATION

Model No.	:	Table Top 33" Lightboard
Part No.	:	LGS33G
Product Name	:	Standalone Learning Glass 33-inch Lightboard with Power Adapter, Dimmer and Legs
Features	:	illumiclear™ Tempered Glass Smudge-Free 31" x 19" Working Area No Tool 5 Minute Assembly 4000K Natural White Presenter Lights Dual Channel No-Flicker Dimmer Portable and Minimal Setup Area Required Lightweight Sturdy Design



1. Introduction

The Tabletop 33" Lightboard from Learning Glass features our patented illumiclear™ Tempered Glass to ensure the best clarity and optical performance. illumiclear™ is the technology that allows a smudge-free workplace with minimal streaks and squeaks. The working area of the unit is 30.5" x 17.5". This size has been proven to be excellent for quick lectures and more intimate presentations. It provides the ideal ratio of presenter to material, ensuring that the material and presenter are both at a good viewing size.

The Learning Glass Lightboard uses high quality and high density LEDs. Our LEDs have been tested with over a 100,000 hour lifespan with little to no degradation to performance. All of our Lightboard units come standard with presenter lights that operate a natural white temperature of 4000K. This makes the presenter look natural to the viewer. The light intensity can be varied with the use of the included No-Flicker Dimmer. This greatly helps with lighting presenters of varying skin and complexion. Our special dimmers do not have a flicker effect when being recording using modern day video cameras. The LEDs have been tested up to 240 frames per second with no flicker effect.

The assembly time is 5 minutes or less and does not require any technical skillset. No tools are required for assemble, there are 4 thumbscrews that screw in easily to the side of the glass to support the legs. The unit features an adjustable height by changing the legs appropriately.

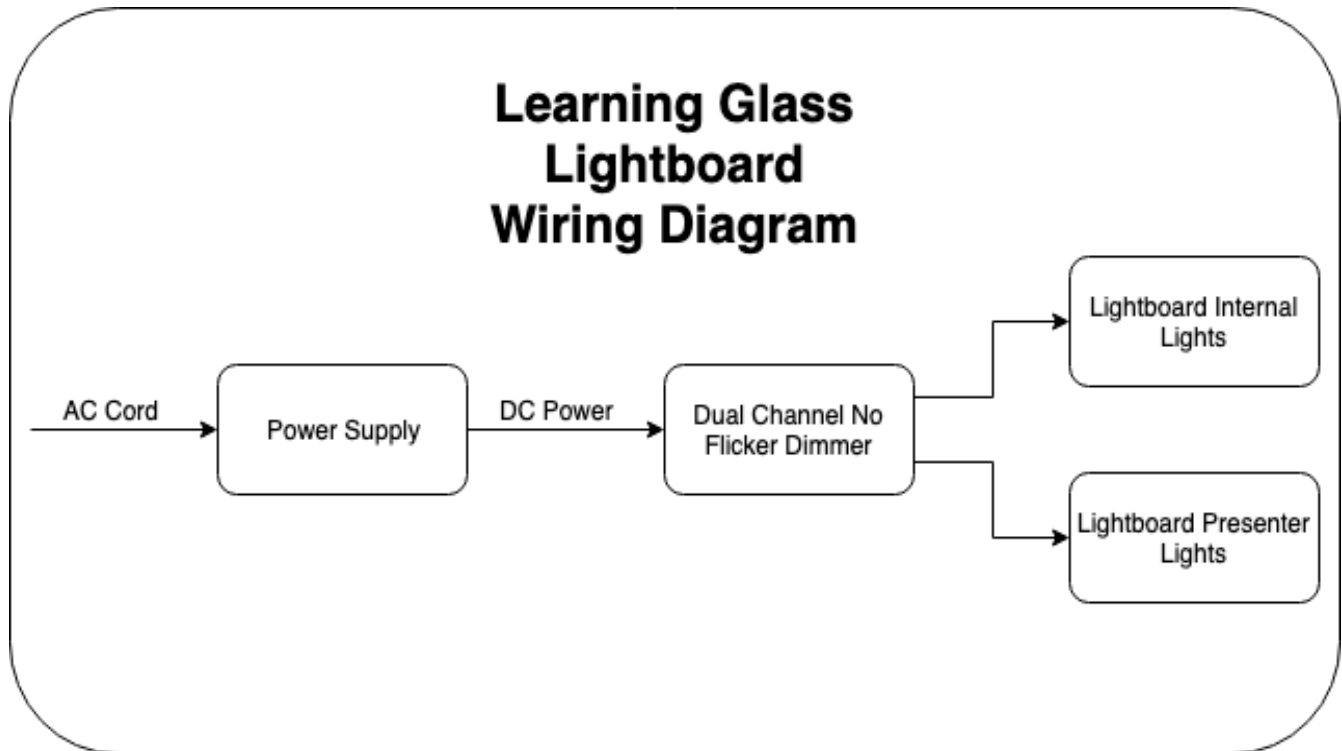
2. Specifications

ELECTRICAL	
Color Temp	4000K
CRI Rating	95%
Max Brightness	<4
Viewing Angle	180°
Input Voltage Range	110-240V
Input Voltage Frequency	50-60Hz
Max Continuous Power	60 W
MECHANICAL	
Dimension (inch)	31 * 19 * 1.5
Frame Material	High Strength Aluminum
Glass Material	illumiclear™ Tempered Glass
Weight	10lbs
Work Space (inch)	30.5 * 17.5
Connectors	DC 2.5mm Barrel Jack
ENVIRONMENTAL	
Operation Temperature	-40°C to 85°C
Storage Temperature	-40°C to 105°C
Relative Humidity	40% to 95%

3. Dimensions



4. Wiring Block Diagram



5. In the Box

- 1 * Learning Glass Lightboard LGS33
- 1 * Power Supply
- 1 * Power Adapter
- 1 * No-Flicker Dimmer
- 2 * Legs
- 4 * Thumb Screws
- 4 * Markers
- 2 * Cleaning Towels
- 1 * Squeegee
- 1 * Quick Start Setup Guide