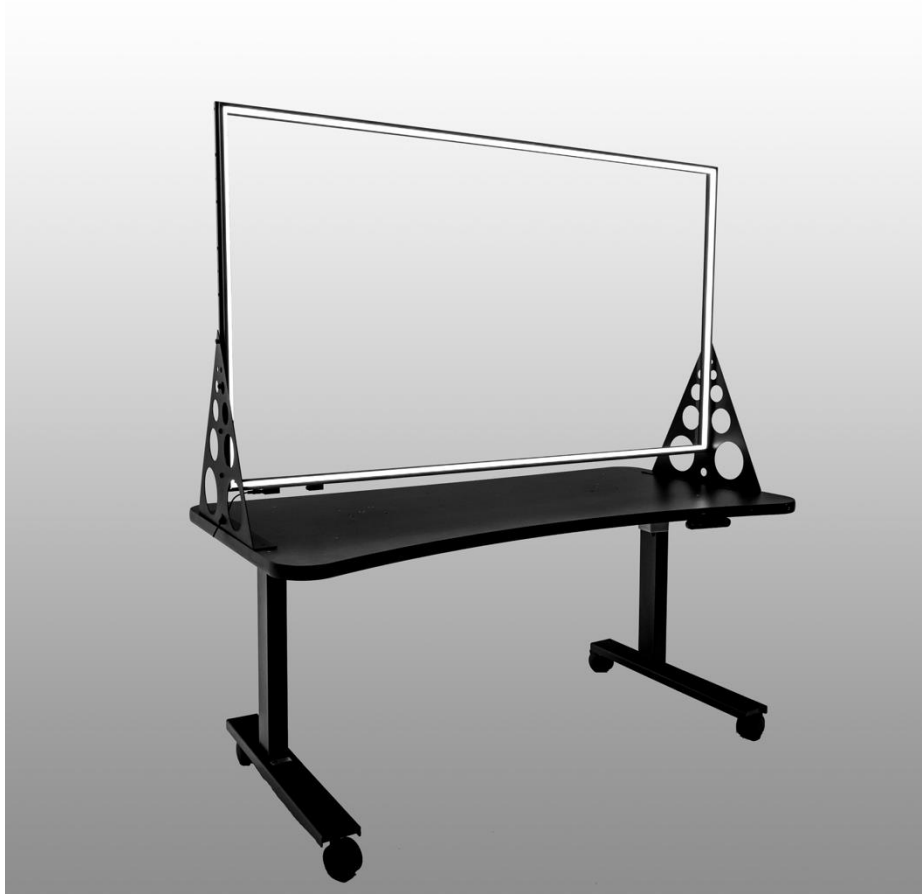


SPECIFICATION

Model No.	:	Standalone 66" Lightboard
Part No.	:	LGS66T
Product Name	:	Standalone Learning Glass 66-inch Lightboard with Power Adapter, Dimmer, Legs, and Desk
Features		illumiclear™ Tempered Glass Smudge-Free 32" x 57" Working Area 30 Minute Assembly Adjustable Height Desk 4000K Natural White Presenter Lights Dual Channel No-Flicker Dimmer Portable with Casters



1. Introduction

The Standalone 66" Lightboard from Learning Glass features our patented illumiclear™ Tempered Glass to ensure the best clarity and optical performance. illumiclear™ is the technology that allows a smudge-free workplace with minimal streaks and squeaks. The working area of the unit is 32" x 57". This size has been proven to be more than adequate for all types of lectures and presentations alike. It provides the ideal ratio of presenter to material, ensuring that the material and presenter are both at a good viewing size. Fghdgh

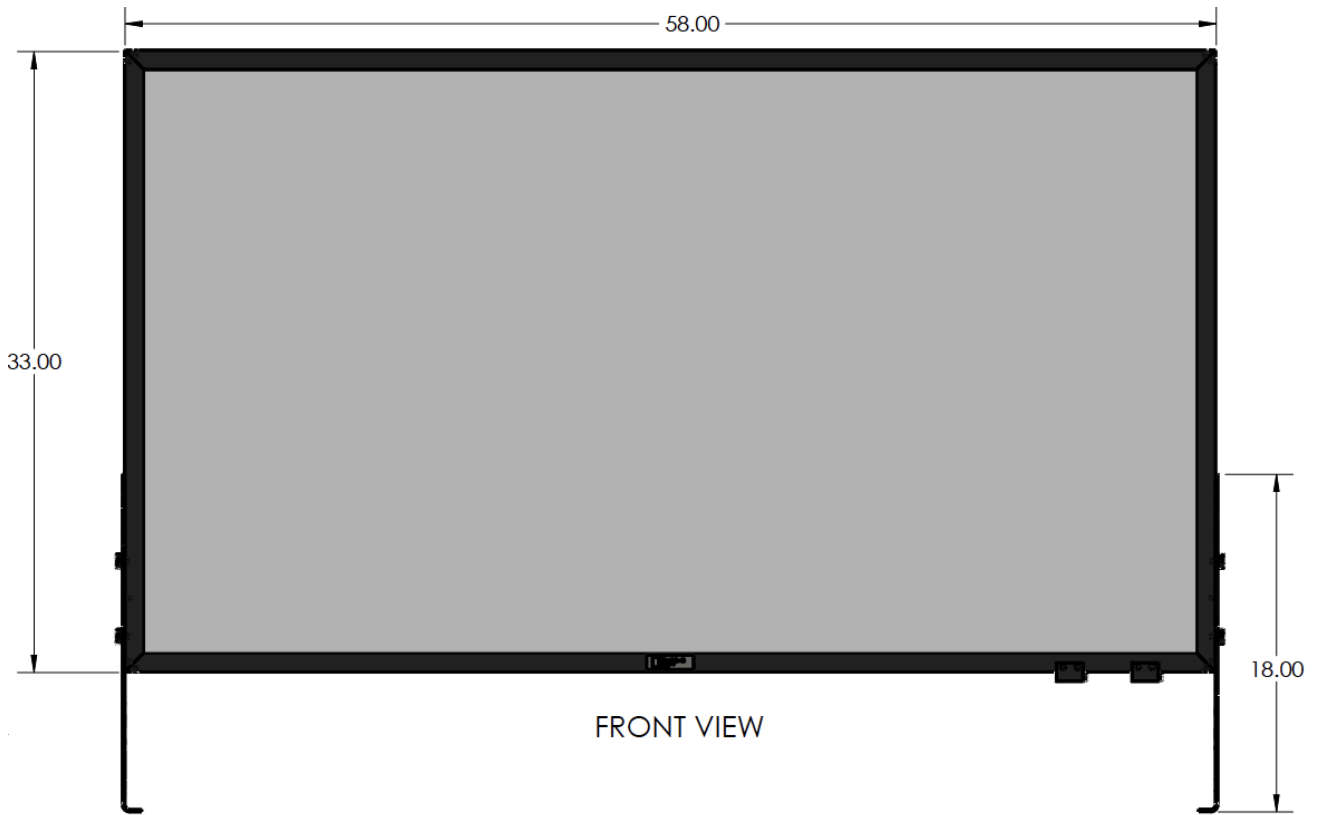
The Learning Glass Lightboard uses high quality and high density LEDs. Our LEDs have been tested with over a 100,000 hour lifespan with little to no degradation to performance. All of our Lightboard units come standard with presenter lights that operate a natural white tempature of 4000K. This makes the presenter look natural to the viewer. The light intensity can be varied with the use of the included No-Flicker Dimmer. This greatly helps with lighting presenters of varying skin and complexion. Our special dimmers do not have have a flicker effect when being recording using modern day video cameras. The LEDS have been tested up to 240 frames per second with no flicker effect.

The assembly time is 30 minutes or less and does not require any technical skillset. The only tool required is a #2 Philips head screwdriver to assemble the glass and legs together. The desk is ultra portable and easy to assembly. With the help of the locking casters, the glass and desk can easily be moved for storage or set up in a different location.

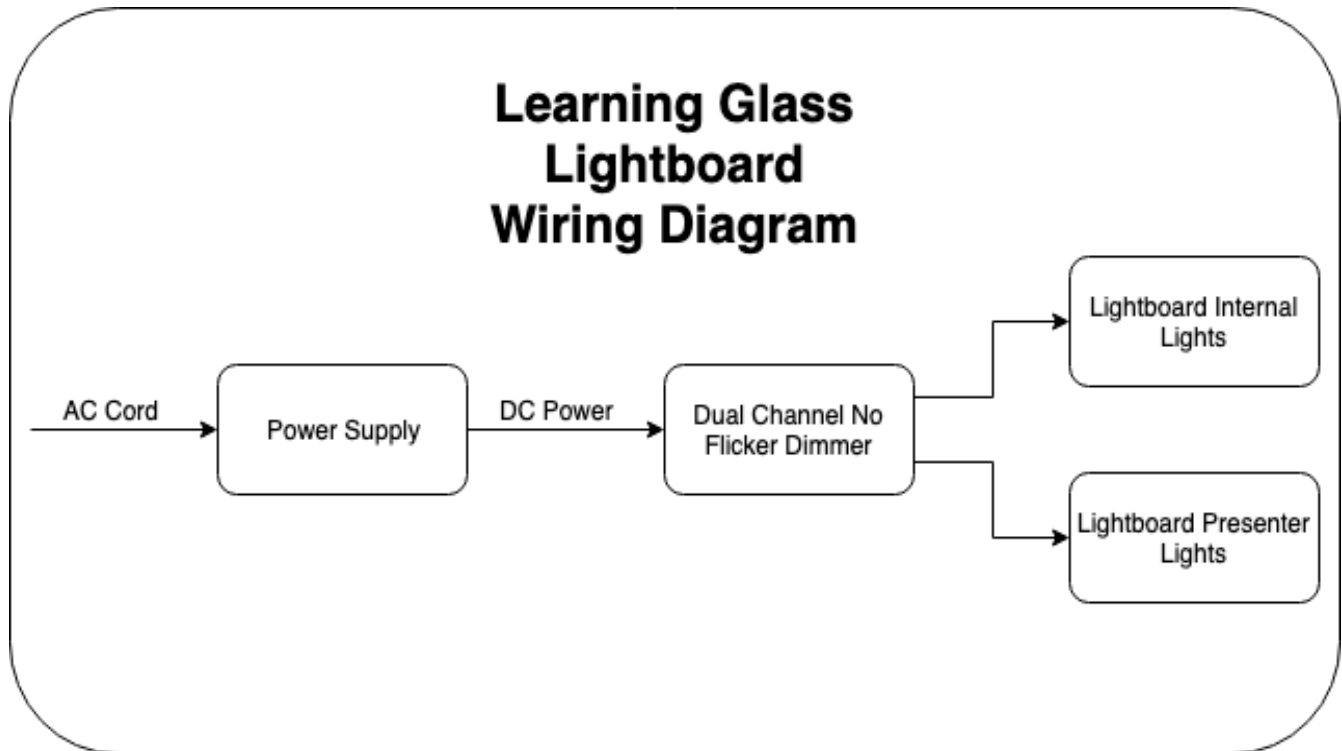
2. Specifications

ELECTRICAL	
Color Temp	4000K
CRI Rating	95%
Max Brightness	<4
Viewing Angle	180°
Input Voltage Range	110-240V
Input Voltage Frequency	50-60Hz
Max Continuous Power	60 W
MECHANICAL	
Dimension (inch)	33 * 58 * 1.5
Frame Material	High Strength Aluminum
Glass Material	illumiclear™ Tempered Glass
Weight	50lbs
Work Space (inch)	32 * 57
Connectors	DC 2.5mm Barrel Jack
ENVIRONMENTAL	
Operation Temperature	-40°C to 85°C
Storage Temperature	-40°C to 105°C
Relative Humidity	40% to 95%

3. Dimensions



4. Wiring Block Diagram



5. In the Box

- 1 * Learning Glass Lightboard LGS66
- 1 * Power Supply
- 1 * Power Adapter
- 1 * No-Flicker Dimmer
- 2 * Legs
- 8 * Philips Screws
- 1 * Desk
- 2 * Desk Legs
- 1 * Desk Hardware
- 4 * Desk Casters
- 4 * Markers
- 2 * Cleaning Towels
- 1 * Squeegee
- 1 * Quick Start Setup Guide